

RDV Series Round Soffit Vent

Technical Data Sheet

FEATURES & BENEFITS

- Helps prevent peeling paint by removing moisture from wall cavities.
- Extra long collar for better hose or duct connection.
- Molded-in mesh bug screen.
- Secure friction fit.
- Made from durable, one-piece molded plastic.
- Quick and easy installation.
- Pair with optional Primex 4-inch Squeeze Elbow (EB4x90) for 2x4 stud installation.

COLOURS

- Snow White (01)

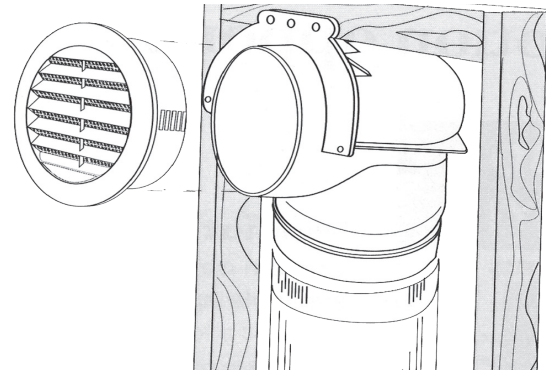
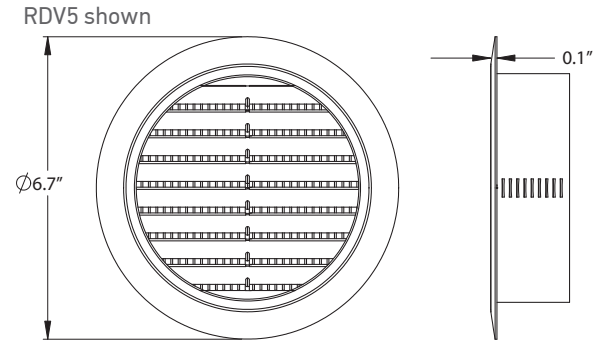
APPLICATIONS

- Heat Recovery Venting (HRV)
- Bathroom Venting
- Intake
- Range Venting

PART NUMBER/SIZING

Part #	Size	Free Area	Description	Pkg
RDV2S	2" Dia.	1.1 sq. in	Fits 2" diameter duct	50/bag
RDV4S	4" Dia.	4.0 sq. in	Fits 4" diameter duct	70/box
RDV5S	5" Dia.	6.4 sq. in	Fits 5" diameter duct	50/box
RDV6S	6" Dia.	10.3 sq. in	Fits 6" diameter duct	30/box

TECHNICAL DRAWING



4" Round Vent installed with Primex's
'Squeeze Elbow' EB4x90