

# WC28 Series Low-Profile Wall Cap

## Technical Data Sheet

### FEATURES & BENEFITS

- Enhances aesthetics with low profile that blends in with wall.
- Maximize inventory turns with single hood size and separate 4 to 8 inch easy snap-in adapters.
- Excellent for areas with high wind.
- Eliminates leaky joints and maximizes water protection with one-piece, molded hood.
- Oversized flange ensures watertight installation.
- Long-lasting durability with UV-protected, impact-resistant polymer resin.
- Intake/exhaust conversion via removable damper.
- \* For dryer applications use 'no screen' (NS) model.

### PRODUCT DIMENSIONS

HOOD SIZE: H: 10"/W: 10.6"/D: 4.6"

### COLOURS

- Black (25)
- Light Grey (31)
- Dark Grey (28)
- Taupe (23)
- Tan (45)
- Dark Brown (68)
- Snow White (01)

### APPLICATIONS

- Dryer Venting
- Bathroom Venting
- Range Venting

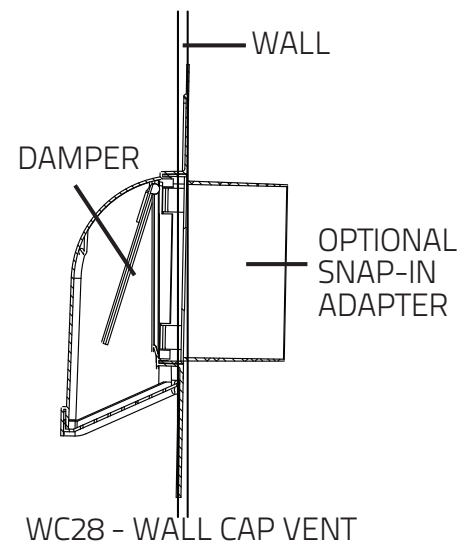
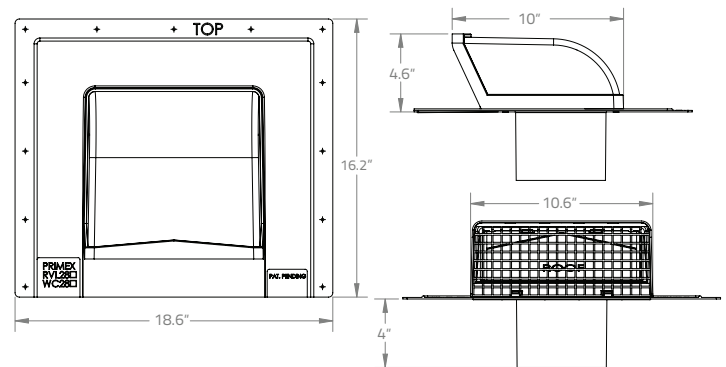
### PART NUMBER/SIZING

Part #	Size	Free Area	Description	Pkg
WC28	7.5" x 7.25" x 9.38"	27.8 sq. in.	With screen	6/box
WC28NS	7.5" x 7.25" x 9.38"	40.3 sq. in.	w/o screen	6/box

### ADAPTER

RV28-4	4" Dia.	12.6 sq. in.	4" Adapter	30/box
RV28-5	5" Dia.	19.6 sq. in.	5" Adapter	30/box
RV28-6	6" Dia.	27.8 sq. in. 28.3 NS	6" Adapter	25/box
RV28-7	7" Dia.	27.8 sq. in. 38.5 NS	7" Adapter	25/box
RV28-8	8" Dia.	27.8 sq. in. 40.3 NS	8" Adapter	18/box

### TECHNICAL DRAWING



WC28 - WALL CAP VENT