

WG4

Adjust-A-Vent Ceiling Diffusers

Technical Data Sheet

FEATURES & BENEFITS

- Dual flow: whisper quiet air supply or exhaust with lock nut to fine tune air flow from 0-100%.
- Strong stainless steel grip clip provides snug fit.
- Extra thick foam gasket allows for tight seal on uneven surfaces and provides quiet air flow.
- Long-lasting durability with impact resistant, polymer resin.
- WG401 vent is compatible with Primex's squeeze elbow accessory EB4x90.
- Easy to install and remove.

COLOURS

- Snow White (01)

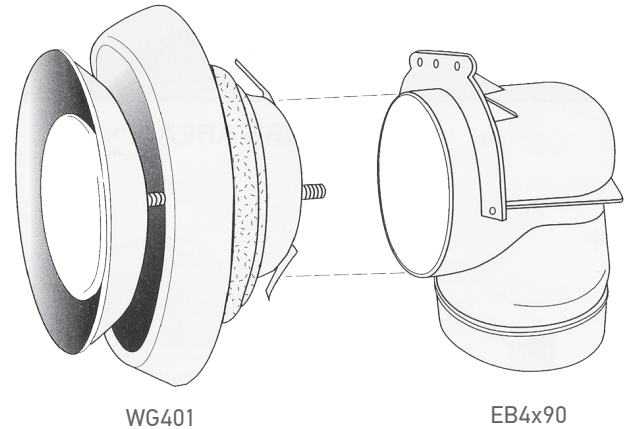
APPLICATIONS

- Heat Recovery Venting (HRV)

PART NUMBER/SIZING

Part #	Size	Free Area	Description	Pkg
WG401	4"	5.5 sq. in.	Use w/EB4x90	25/box

TECHNICAL DRAWING



WG401

EB4x90