

Goose-Neck Roof Vent

RV28

The Primex Goose-Neck Roof Vent (RV28) is built for the through-roof exhaust of dryers, bathroom and kitchen fans, stove vents, and intake for furnaces, fresh air make-up, and attic venting.

This patented, durable, watertight roof vent is easily installed and adapted to fit 4, 5, 6, 7 or 8-inch ducting (with available adapters) for a perfect fit every time.

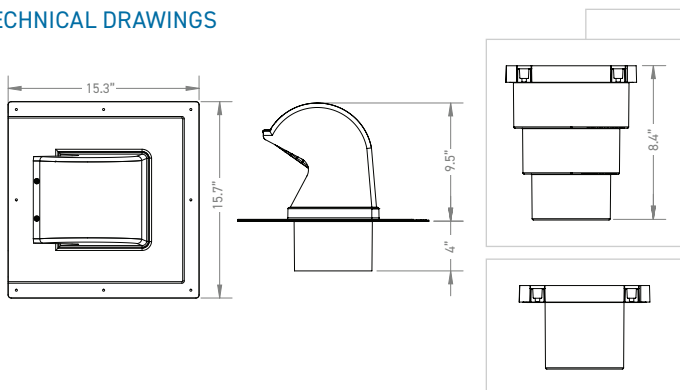
APPLICATIONS



FEATURES & BENEFITS

- Provides all-weather ventilation with 5" of additional height for snow clearance.
- Maximize inventories turns with single hood size and separate 4 to 8-inch easy snap-in adapters.
- Patented design eliminates leaky joints and maximizes water protection with one-piece, molded hood.
- Ensures watertight installation with over-sized flange.
- Resists damage from sun and hail with UV-protected, impact resistant polymer resin.
- Simple intake/exhaust conversion via removable damper.

TECHNICAL DRAWINGS



COLOURS

- Black (25)
- Light Grey (31)
- Dark Grey (28)
- Tan (45)
- Dark Brown (68)

PART NUMBER/SIZING

Part #	Size	Free Area	Description	Pkg
RV28	7"x7"x9.38"	26.5 sq. in.	Exhaust vent with screen	5/box (bulk 120 avlbl)
RV28NS	7"x7"x9.38"	31.8 sq. in.	Exhaust vent without screen	5/box (bulk 120 avlbl)
RV28-4/5/6" Dia.	Universal duct adapter: 4"/5"/6"			30/box
RV28-7	7" Dia.	26.5 sq. in. 31.8 NS	Duct adapter: 7"	25/box
RV28-8	8" Dia.	26.5 sq. in. 31.8 NS	Duct adapter: 8"	18/box

*** Minimum Order Quantities required for individual sizes below. Ask Customer Service for details.**

RV28-4	4" Dia.	12.6 sq. in.	Duct adapter: 4"	30/box*
RV28-5	5" Dia.	19.6 sq. in.	Duct adapter: 5"	30/box*
RV28-6	6" Dia.	26.5 sq. in. 28.3 NS	Duct adapter: 6"	25/box*